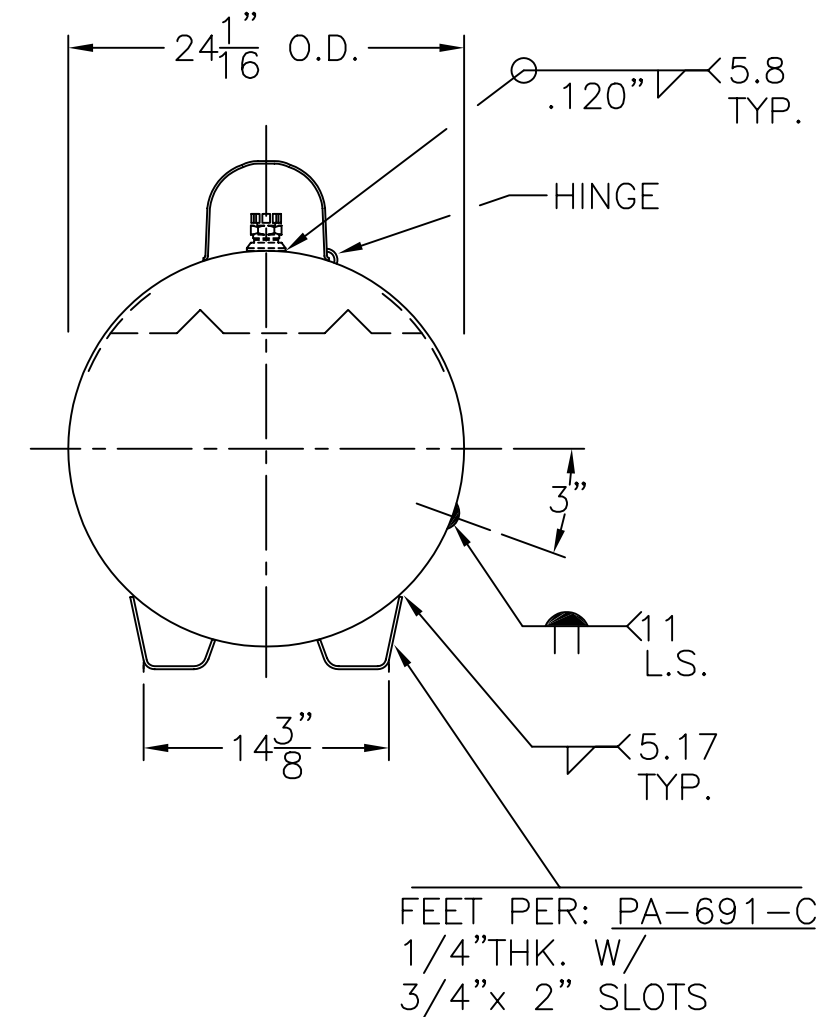
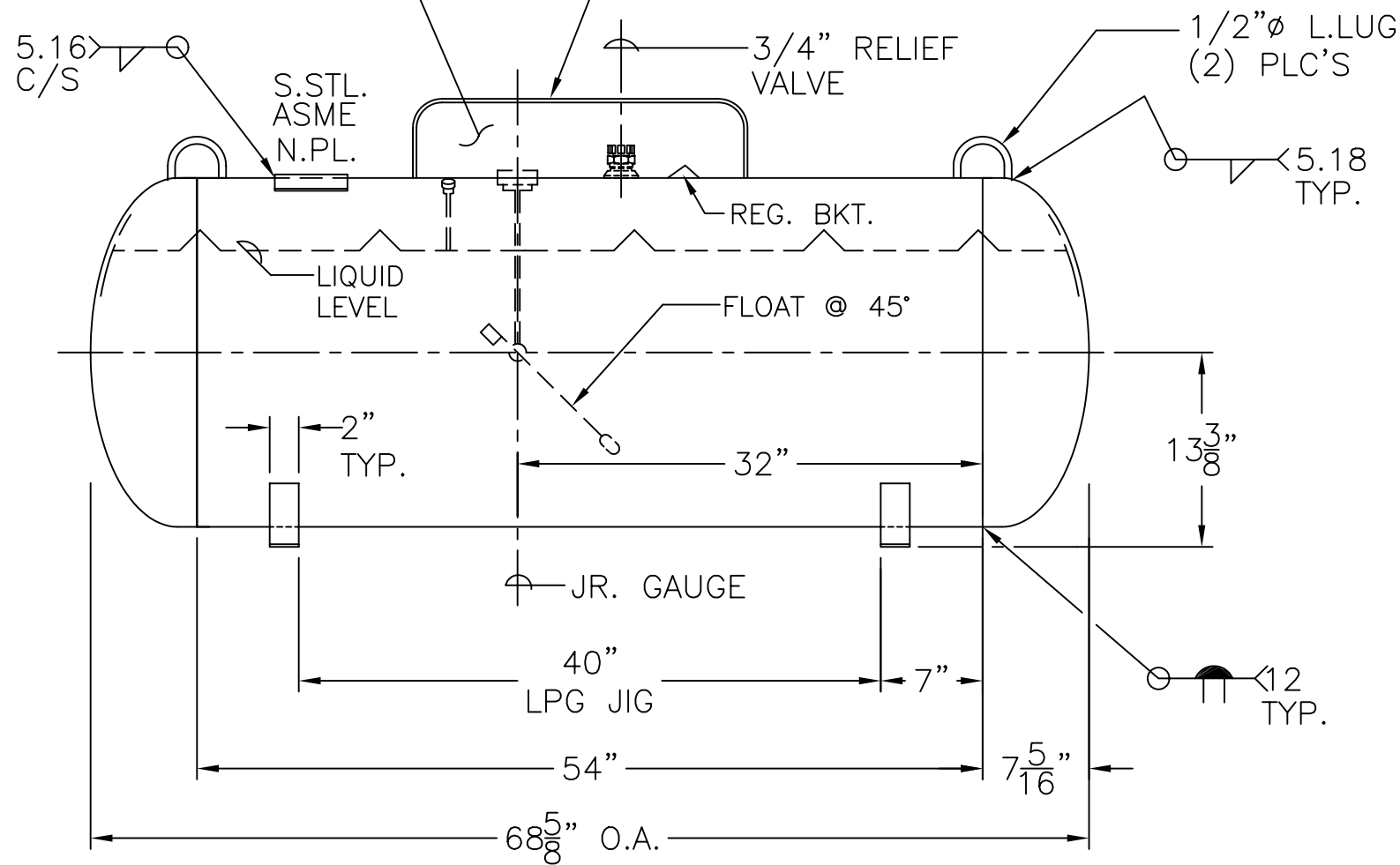


NOTE: P.O.L. FILLER, OUTAGE OMMITTED FROM THIS VIEW FOR CLARITY

LAYOUT DIMENTIONS PER:
 UNIVERSAL----- □ = SK-2617 REV. II
 CALIFORNIA STD.- □ = PA-432-A
 NEVADA STD.---- □ = PA-433-A



GENERAL NOTES

- | | | |
|---|---|-------------------------------|
| 1. SHELL: <u>.165" SA-414-G</u> | 7. <u>M.A.W.P. 250 PSIG. @ 200 °F</u>
<u>M.D.M.T. -20 °F @ 250 PSIG.</u> | 13. <u>C.F.M. REQ'D. 1070</u> |
| 2. HEADS: <u>.164" SA-414-G 2:1 S.E.</u>
<u>JOGGLE</u> | 8. <u>HYDRO: 327 PSIG. MIN.</u> | 14. <u>OUTSIDE: WHITE</u> |
| 3. <u>X-RAY: RT-4 SPOT L.S.</u> | 9. <u>GAL: 124</u> | |
| 4. <u>STRESS REL., NO</u> | 10. <u>EMPTY WT: 281# APROX.</u> | |
| 5. <u>CORR. ALLOW: NONE</u> | 11. <u>DEHYDRATE INSIDE</u> | |
| 6. <u>ASME SEC. VIII DIV. 1, 2004 ADD 2006</u> | 12. <u>SURFACE AREA: 38.5 SQ. FT.</u> | |

P-124	REV. 12-15-06
	DATE: 3-11-87
FOR: HANSON STANDARD HORIZ. PROPANE TANK	
BY: J.G.	SCALE: 1"=12"
ROY E. HANSON JR. MFG. 1600 E. WASHINGTON BLVD. LOS ANGELES, CA 90021	