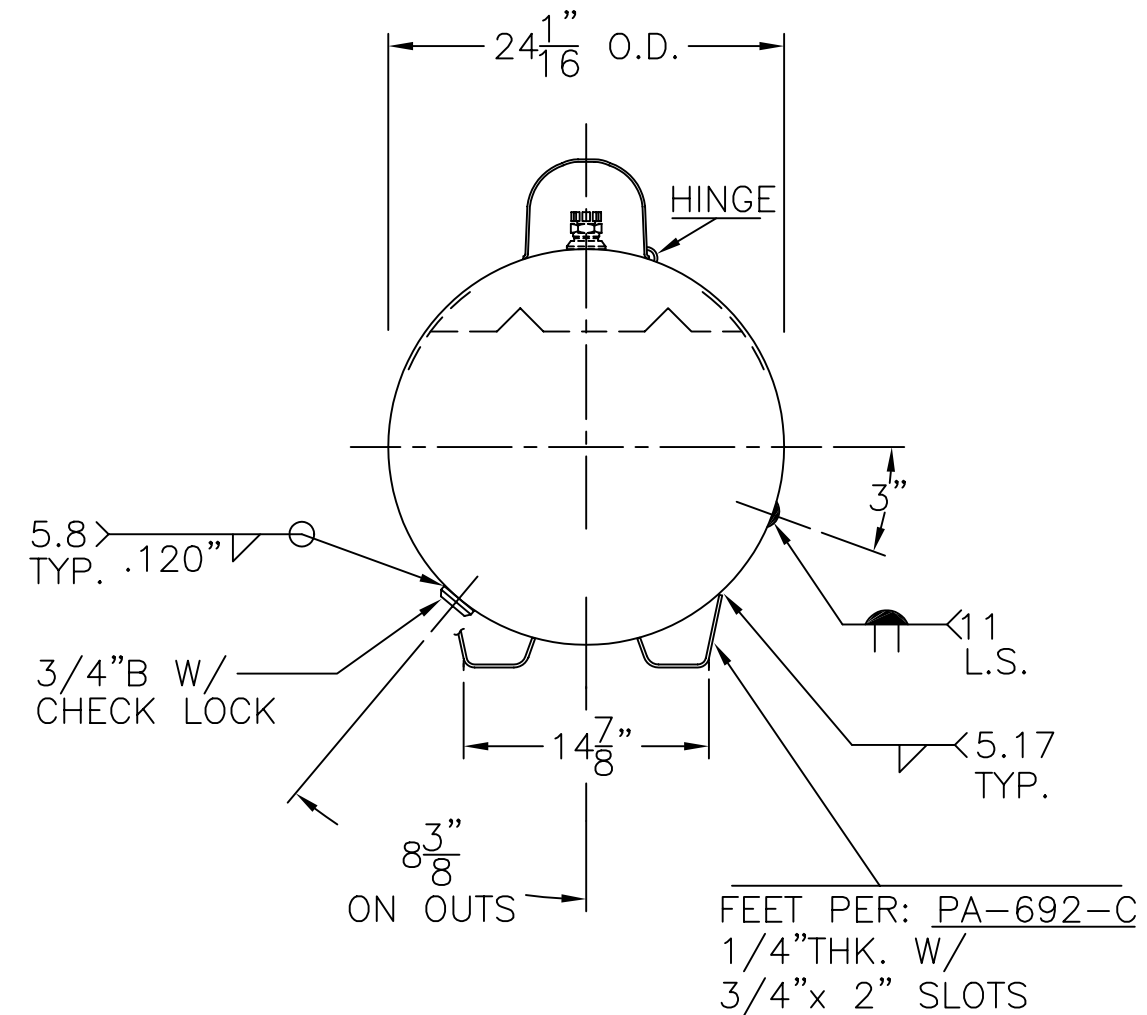
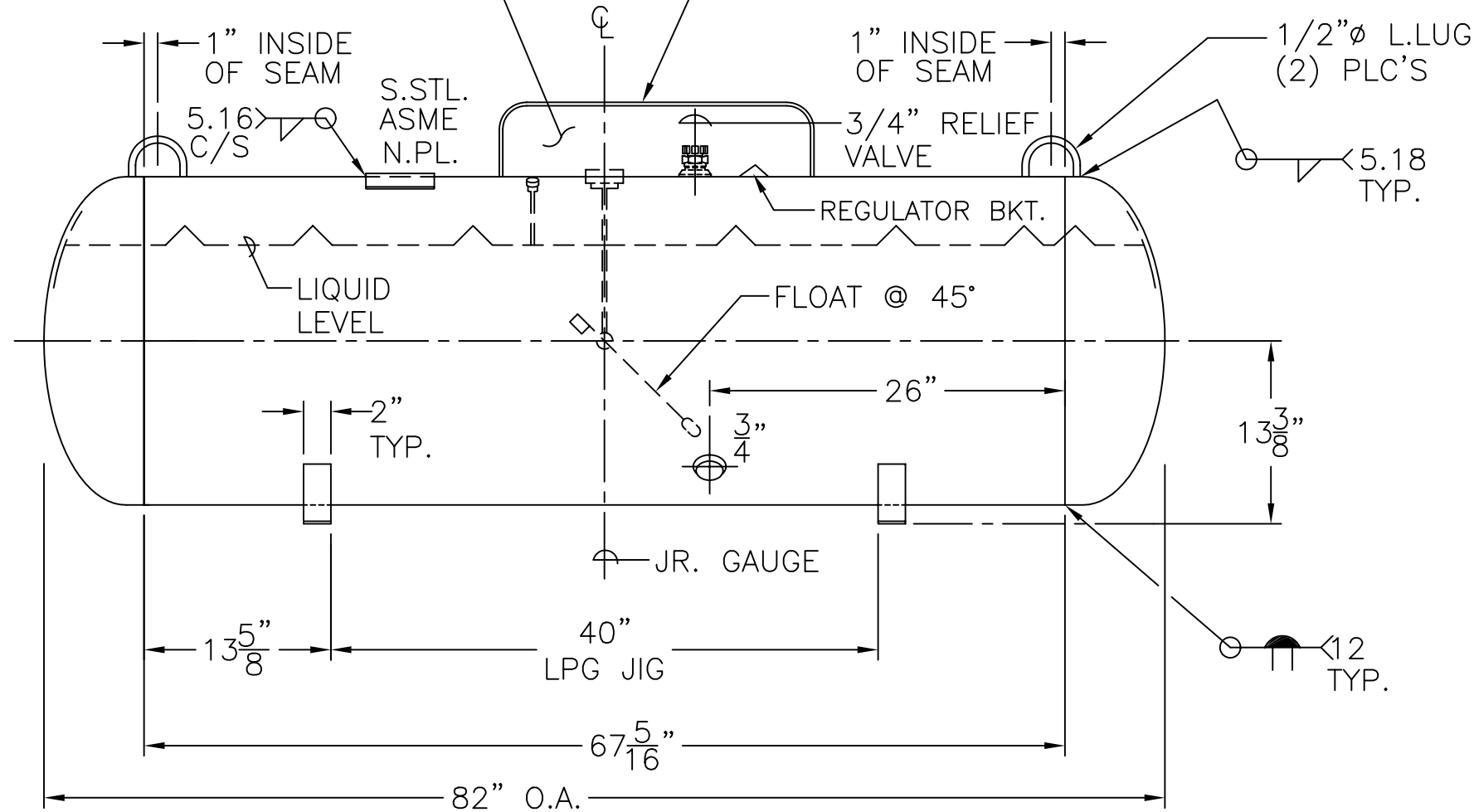


NOTE: P.O.L. 9101R1  
FILLER, OUTAGE  
OMMITTED FROM  
THIS VIEW FOR CLARITY

LAYOUT DIMENTIONS PER:  
UNIVERSAL----- □ = SK-2617 REV. II  
CALIFORNIA STD.- □ = PA-432-A  
NEVADA STD.---- □ = PA-433-A



GENERAL NOTES

- |   |   |                                 |
|---|---|---------------------------------|
| 1. SHELL: <u>.166" SA-414-G</u>                 | 7. M.A.W.P. <u>250 PSIG. @ 200 °F</u><br>M.D.M.T. <u>-20 °F @ 250 PSIG.</u> | 13. C.F.M. REQ'D. <u>1224.7</u> |
| 2. HEADS: <u>.164" SA-414-G 2:1 S.E. JOGGLE</u> | 8. HYDRO: <u>327 PSIG. MIN.</u>   | 14. OUTSIDE: <u>WHITE</u>       |
| 3. X-RAY: <u>RT-4 SPOT L.S.</u>                 | 9. GAL: <u>150</u>  |                                 |
| 4. STRESS REL., <u>NO</u>                       | 10. EMPTY WT: <u>362# APROX.</u>  |                                 |
| 5. CORR. ALLOW: <u>NONE</u>                     | 11. <u>DEHYDRATE INSIDE</u>   |                                 |
| 6. ASME SEC. <u>VIII</u> DIV. 1, 2004 ADD 2006  | 12. SURFACE AREA: <u>45.4 SQ. FT.</u>                                       |                                 |

<b>P-150</b>	REV. 12-15-06
	DATE: 3-11-87
FOR: HANSON STANDARD HORIZ. PROPANE TANK	
BY: J.G.	SCALE: 1"=12"
<b>ROY E. HANSON JR. MFG.</b> 1600 E. WASHINGTON BLVD. LOS ANGELES, CA 90021	