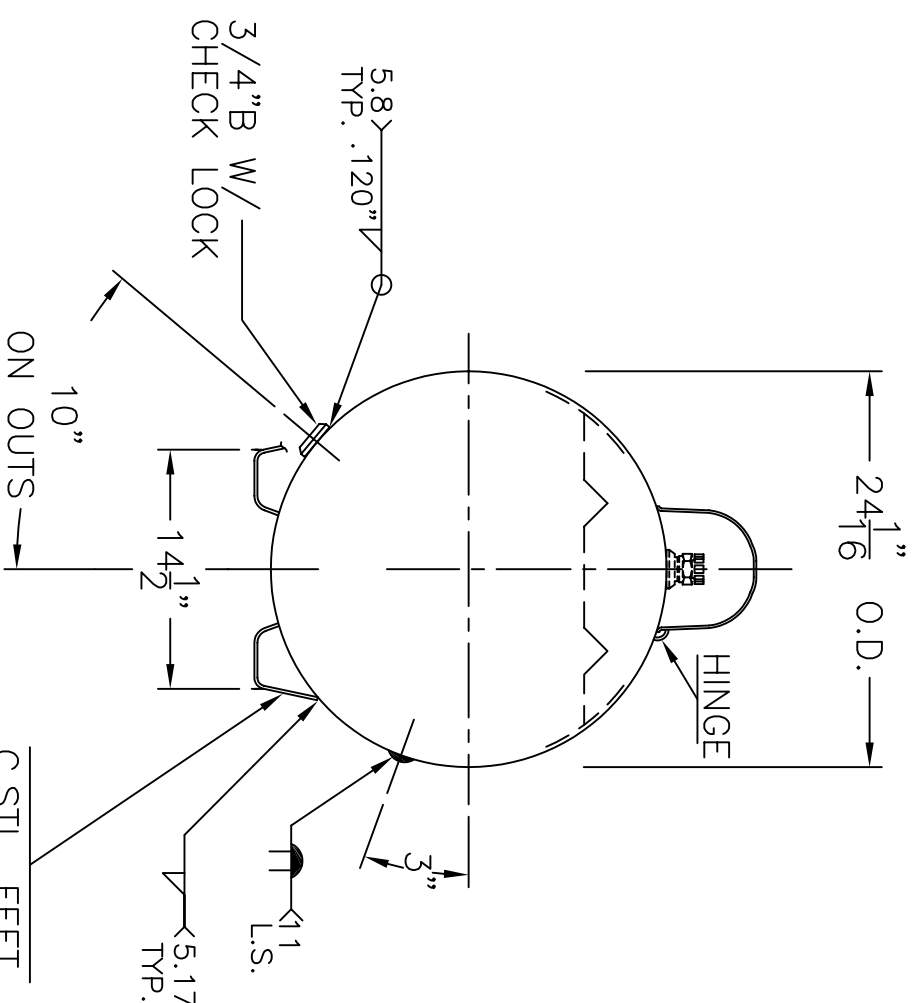
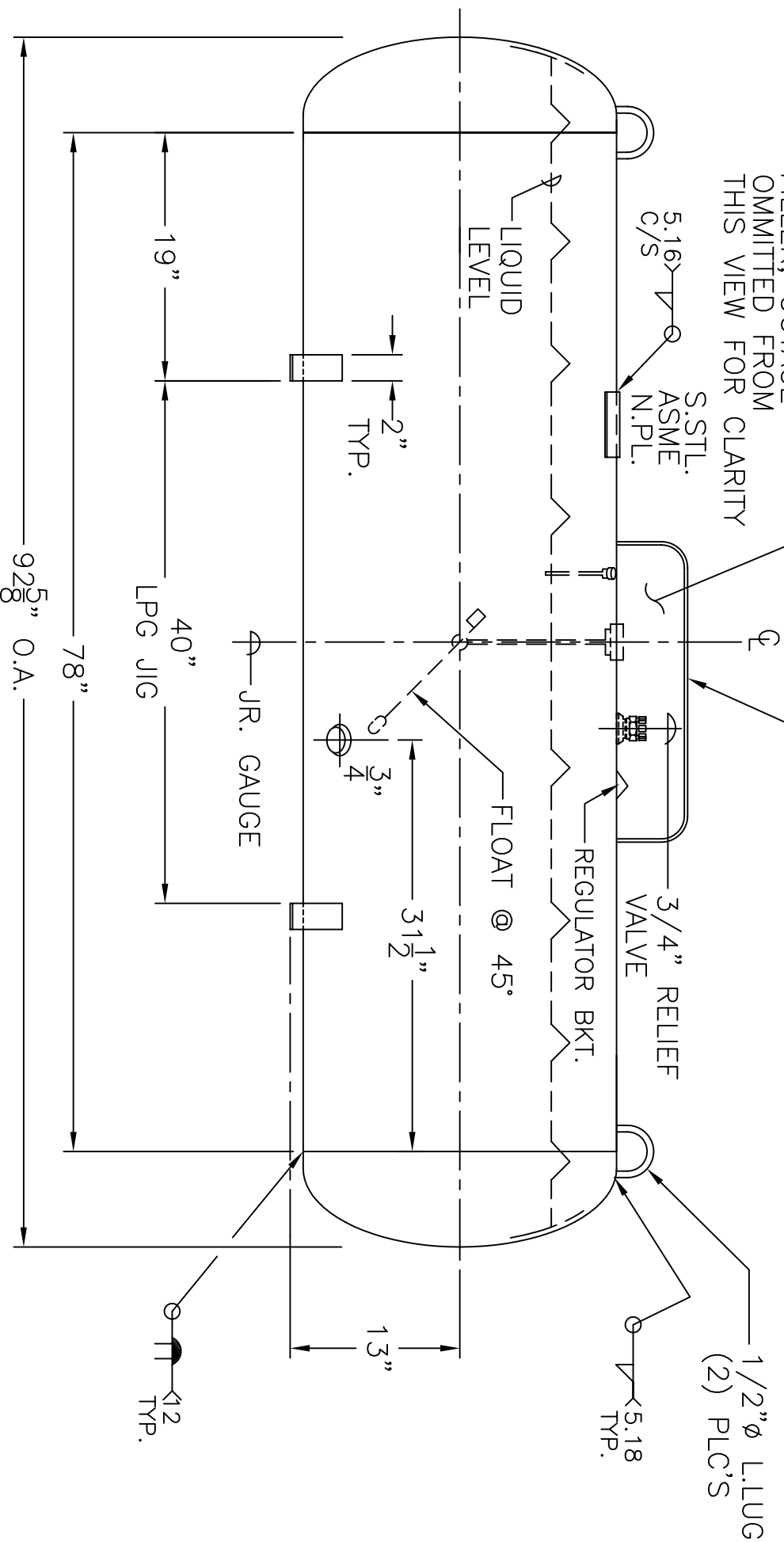


NOTE: P.O.L. 9101R1
 FILLER, OUTGAGE
 OMITTED FROM
 THIS VIEW FOR CLARITY

LAYOUT DIMENTIONS PER:
 UNIVERSAL-----□ = SK-2617 REV. II
 CALIFORNIA STD.-□ = PA-432-A
 NEVADA-----□ = PA-433-A



C.STL. FEET
 1/4" x 2" x 8" BAR
 PER: PA-831-B
 W/3/4" x 2" SLOT

GENERAL NOTES

- | | | |
|---|--------------------------------|--------------------------|
| 1. SHELL: .166" SA-414-G | 7. M.A.W.P. 250 PSIG. @ 200 °F | 13. C.F.M. REQ'D. 1345.9 |
| 2. HEADS: .164" SA-414-G 2:1 S.E. | M.D.M.T. -20 °F @ 250 PSIG. | 14. OUTSIDE: WHITE |
| JOGGLE | 8. HYDRO: 327 PSIG. MIN. | |
| 3. X-RAY: RT-4 SPOT L.S. | 9. GAL: 172 | |
| 4. STRESS REL., NO | 10. EMPTY WT: 371# APPROX. | |
| 5. CORR. ALLOW: NONE | 11. DEHYDRATE INSIDE | |
| 6. ASME SEC. VIII DIV. 1, 2007 ADD 2009 | 12. SURFACE AREA: 50.9 SQ. FT. | |

P-172	REV. 12-28-09
	DATE: 3-11-87
FOR: HANSON STANDARD	
HORIZ. PROPANE TANK	
BY: J.G.	
SCALE: 1"=12"	
ROY E. HANSON JR. MFG.	
1600 E. WASHINGTON BLVD. LOS ANGELES, CA 90021	