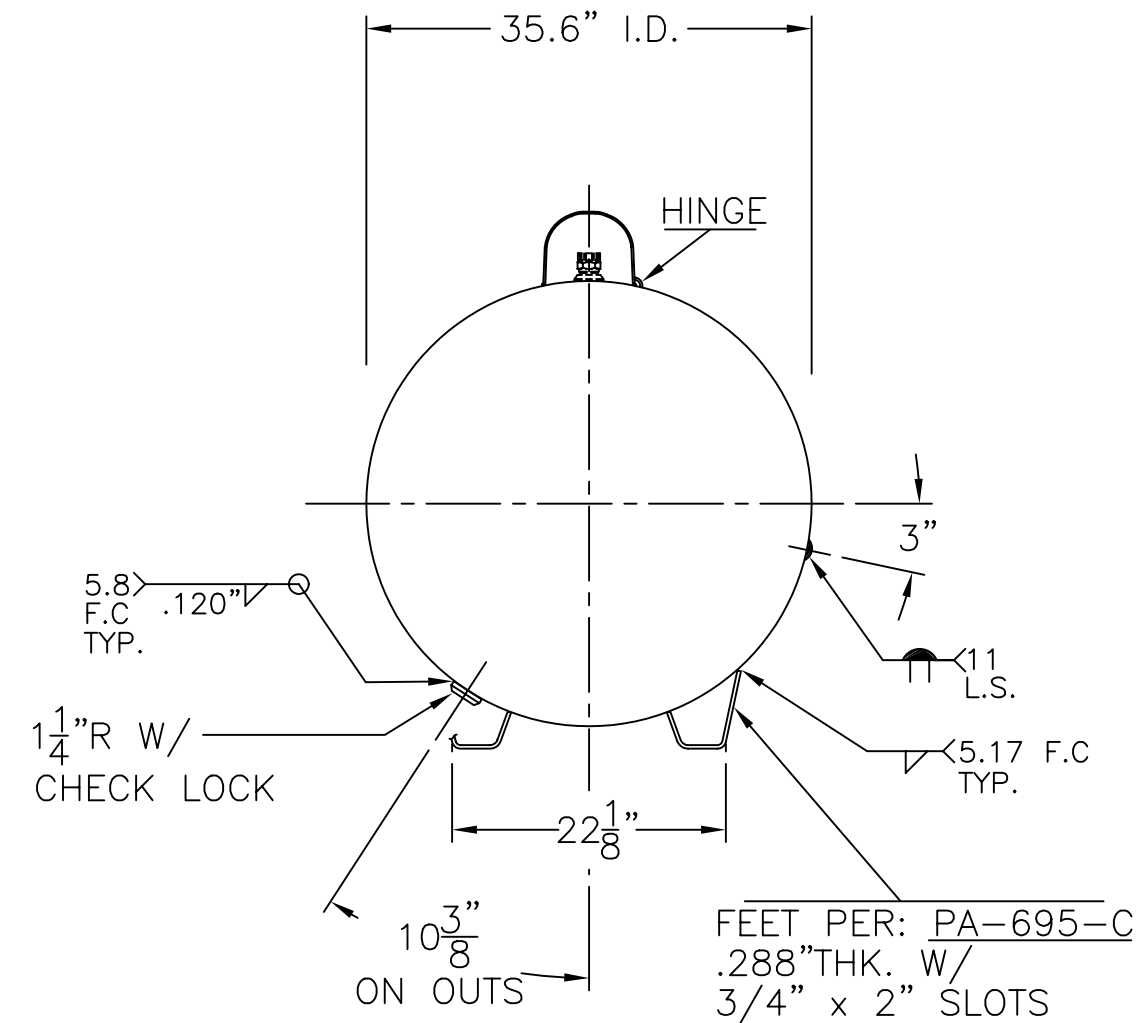
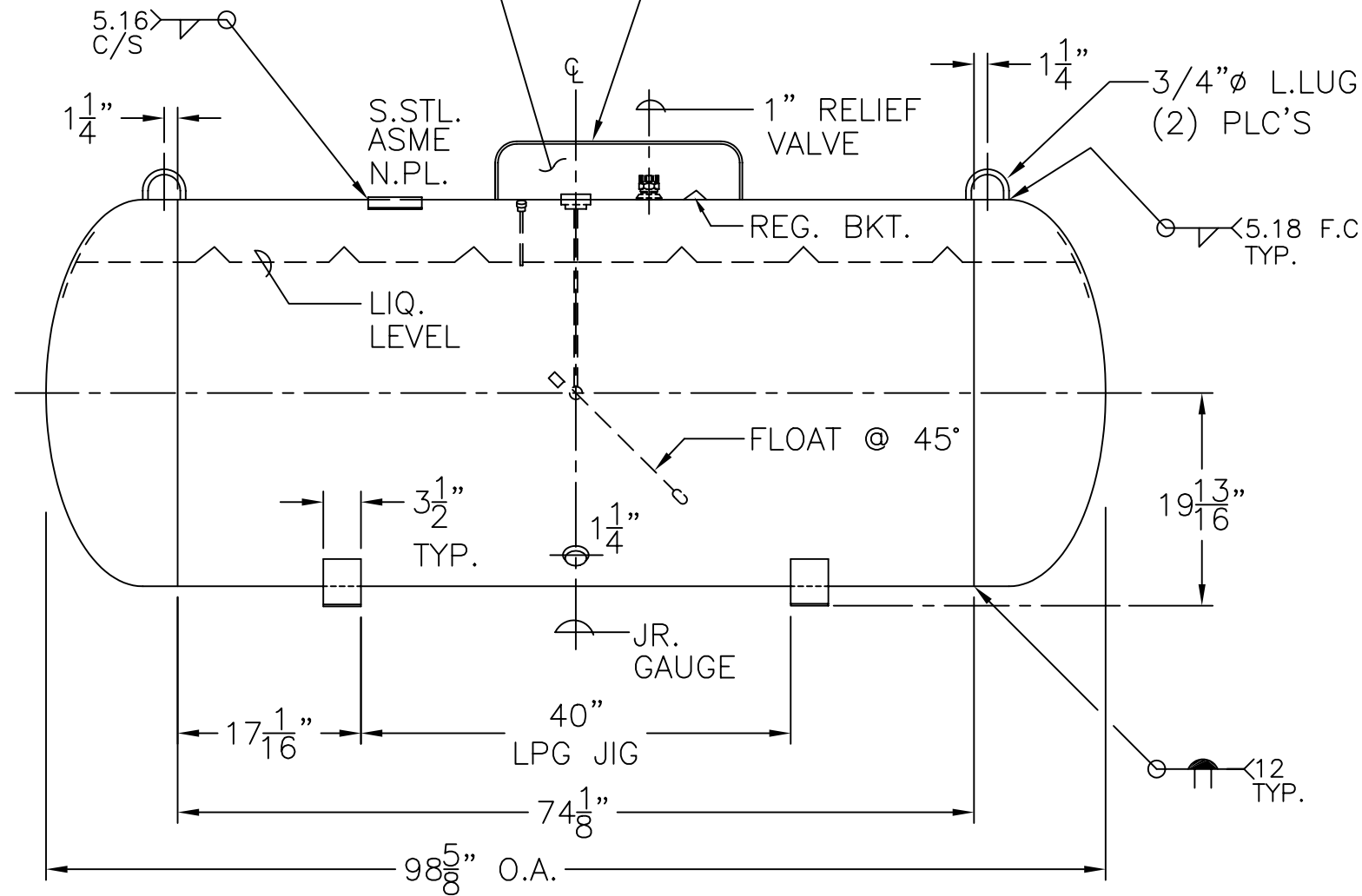


NOTE: P.O.L. V.R. FILLER, OUTAGE OMMITTED FROM THIS VIEW FOR CLARITY

LAYOUT DIMENTIONS PER:  
 UNIVERSAL----- □ = SK-2617 REV. II  
 CALIFORNIA STD.- □ = PA-432-A  
 NEVADA STD.---- □ = PA-433-A



GENERAL NOTES

- |  |                                       |                                 |
|--|---------------------------------------|---------------------------------|
| 1. SHELL: <u>.248" SA-455</u>                  | 7. <u>M.A.W.P. 250 PSIG. @ 200 °F</u> | 13. <u>C.F.M. REQ'D. 2013.4</u> |
| 2. HEADS: <u>.211" SA-455 2:1 S.E. JOGGLE</u>  | <u>M.D.M.T. -20 °F @ 250 PSIG.</u>    |                                 |
| 3. X-RAY: <u>RT-4 SPOT L.S. &amp; G.S.</u>     | 8. <u>HYDRO: 327 PSIG. MIN.</u>       |                                 |
| 4. STRESS REL., <u>NO</u>                      | 9. <u>GAL: 400</u>                    |                                 |
| 5. CORR. ALLOW: <u>NONE</u>                    | 10. <u>EMPTY WT: 883# APROX.</u>      |                                 |
| 6. ASME SEC. <u>VIII</u> DIV. 1, 2004 ADD 2006 | 11. <u>DEHYDRATE INSIDE</u>           |                                 |
| 12. <u>SURFACE AREA: 83.2 SQ. FT.</u>          |                                       |                                 |

<b>P-400-36"</b>	REV. 12-27-06
	DATE: 2-22-00
FOR: HANSON STANDARD	
MODEL No. 400	
36"φ - HORIZ. PROPANE TANK	
BY: J.G.	SCALE: 3/4"=12"
<b>ROY E. HANSON JR. MFG.</b>	
1600 E. WASHINGTON BLVD. LOS ANGELES, CA 90021	