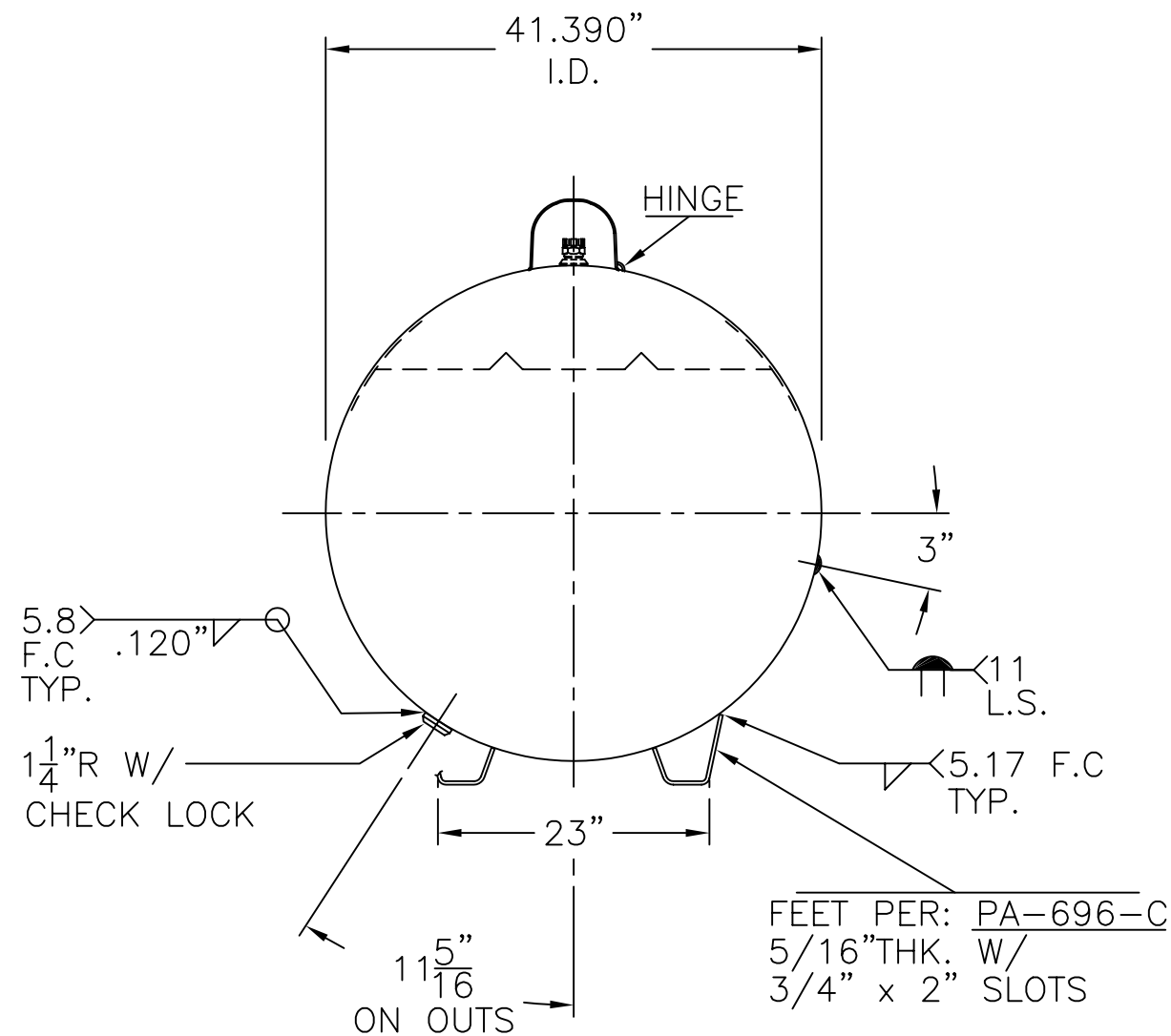
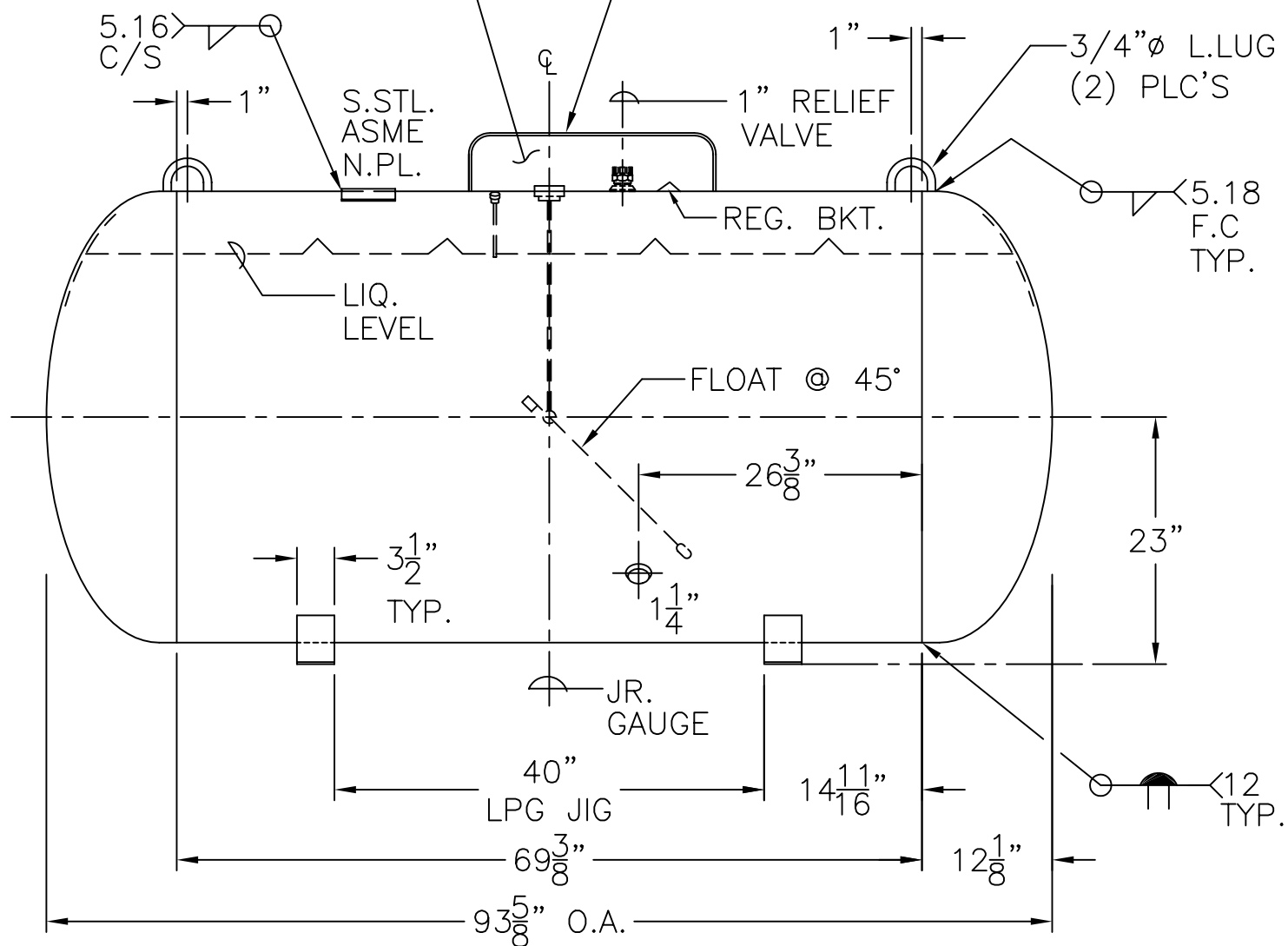


NOTE: P.O.L. V.R. FILLER, OUTAGE OMMITTED FROM THIS VIEW FOR CLARITY

LAYOUT DIMENTIONS PER:  
 UNIVERSAL----- □ = SK-2617 REV. II  
 CALIFORNIA STD.- □ = PA-432-A  
 NEVADA STD.---- □ = PA-433-A



FEET PER: PA-696-C  
 5/16" THK. W/  
 3/4" x 2" SLOTS

GENERAL NOTES

- |   |   |                                 |
|---|---|---------------------------------|
| 1. SHELL: <u>.289" SA-455</u>                           | 7. <u>M.A.W.P. 250 PSIG. @ 200 °F</u><br><u>M.D.M.T. -20 °F @ 250 PSIG.</u> | 13. C.F.M. REQ'D. <u>2206.3</u> |
| 2. HEADS: <u>.245" SA-455 2:1 S.E.</u><br><u>JOGGLE</u> | 8. HYDRO: <u>327 PSIG. MIN.</u>   |                                 |
| 3. X-RAY: <u>RT-4 SPOT L.S. &amp; G.S.</u>              | 9. GAL: <u>499</u>  |                                 |
| 4. STRESS REL., <u>NO</u>                               | 10. EMPTY WT: <u>1171# APROX.</u>   |                                 |
| 5. CORR. ALLOW: <u>NONE</u>                             | 11. <u>DEHYDRATE INSIDE</u>   |                                 |
| 6. ASME SEC. <u>VIII</u> DIV. 1, 2004 ADD 2006          | 12. SURFACE AREA: <u>93.0 SQ. FT.</u>                                       |                                 |

<b>P-499-42"</b>	REV. 12-18-06
	DATE: 3-12-87
FOR: HANSON STANDARD	
MODEL No. 499	
42"φ - HORIZ. PROPANE TANK	
BY: J.G.	SCALE: 3/4"=12"
<b>ROY E. HANSON JR. MFG.</b>	
1600 E. WAHINGTON BLVD. LOS ANGELES, CA 90021	